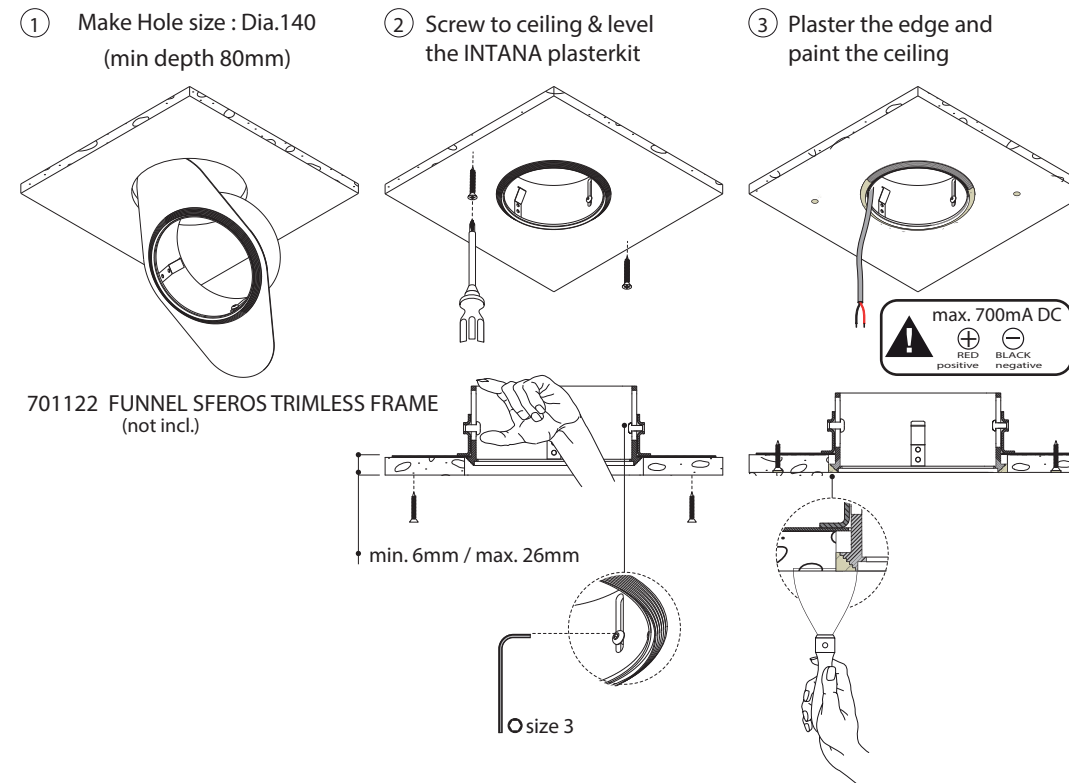


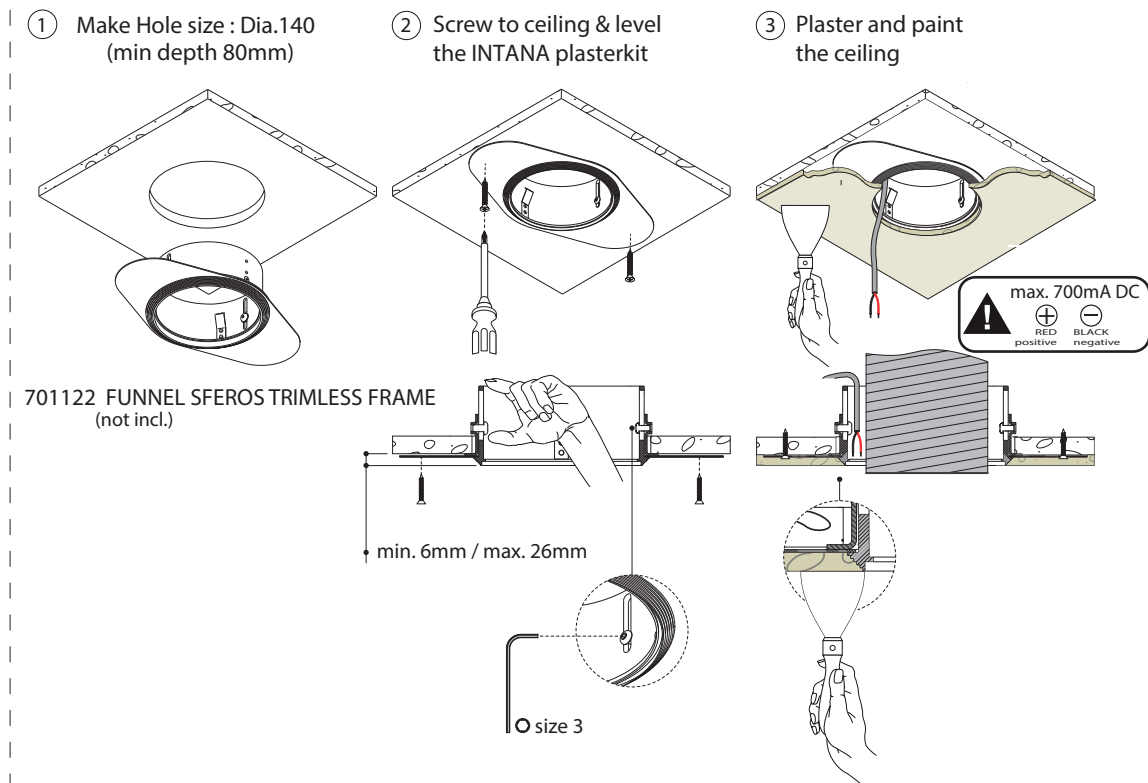
name **FUNNEL SFEROS TRIMLESS HALOLED**

INSTALLATION

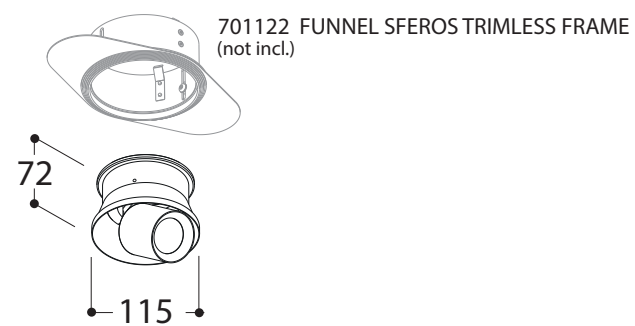
**A FUNNEL SFEROS TRIMLESS IN PLASTERBOARD (HOLLOW CEILINGS)**



**B FUNNEL SFEROS TRIMLESS ON PLASTERBOARD (SOLID CEILINGS)**

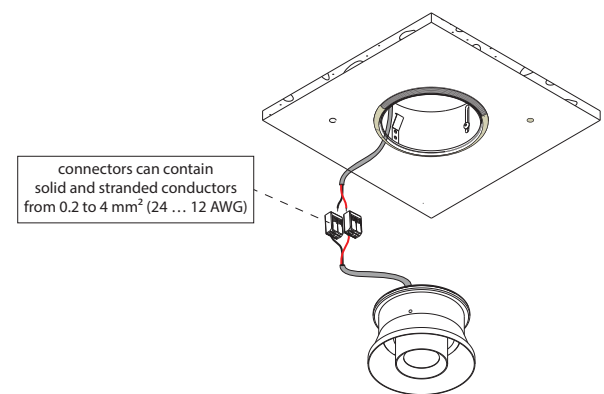


ALL REFS SEE TABLE ON VERSO PAGE ↩

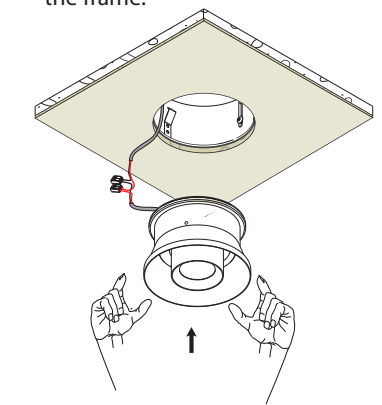


safe distance to object	- 0,1m -
lamp / (lum.flux) / (colortemp)	Haloled 755lm / 2700K Luxeon M 810lm / 3000K
fitting	None
watt	7,84W
current*	700mA DC (Vf = 11,2V)
symbol	
gear	Converter not incorporated
ip/class	IP20
application	Ceiling mounted
orientability	345° Rotating, 60° Tilting
dimmbility	PWM or CCR dimmable
weight	0,6
beamangle	24°/36°/60°
CRI	90
SDCM	3
ACCESSORY	MX100090: HONEYCOMB (see separate manual)

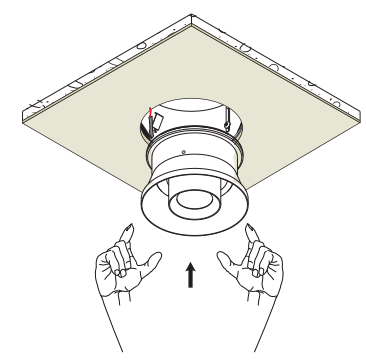
④ Make electrical connection.



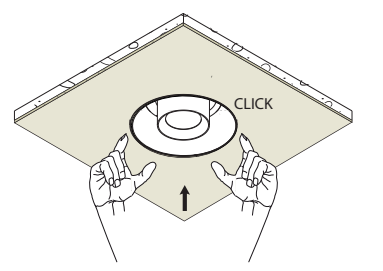
5.1 Push the luminaire gently into the frame.



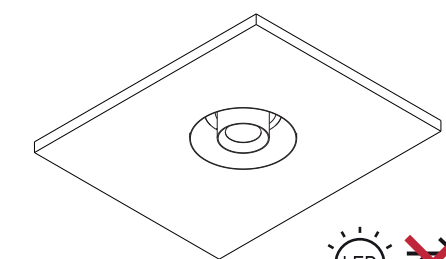
5.2



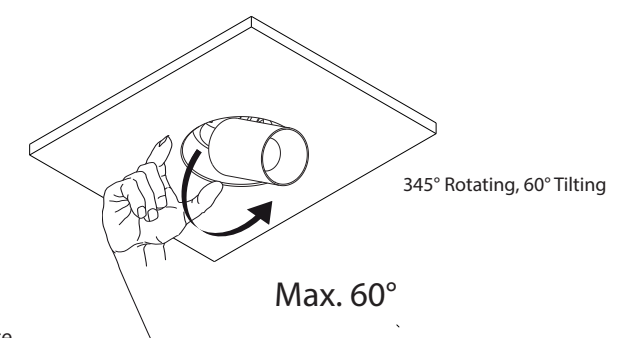
5.3



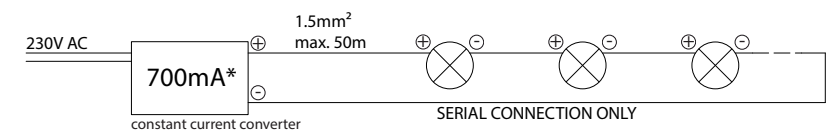
⑥ SWITCH ON MAINS POWER SUPPLY



⑦ HOLD HOUSING TO ORIENT LEDMODULE



**!** ALWAYS DISCONNECT MAINS POWER SUPPLY FROM CONVERTER BEFORE SWITCHING "ON" LED LUMINAIRES TO PREVENT HOT PLUGGING ISSUES



**!** FOR COMPATIBLE CONVERTERS SEE LEDCONVERTER MATRIX

Non-replaceable light source

INSTALLATIE- EN ONDERHOUDSRICHTLIJNEN m.b.t. FABRIEKSGARANTIE.  
1. DE VERBINDINGEN EN HET UITTESTEN VAN DEZE TOESTELLEN DIENEN ALTIJD TE GEBEUREN DOOR EEN ERKENDE ELECTRO-INSTALLATEUR.  
2. DEZE VERLICHTINGSTOESTELLEN MOETEN GE-INSTALLEERD, VERBONDEN EN GETEST WORDEN VOLGENS DE NATIONAAL GELDENDE REGLEMENTEN OP DE ELECTRICHE INSTALLATIES (BELGIE, A.R.E.I., DUITSLAND: DIN VDE 0100 TEIL 559 A2, ...; DEZE OPSOMMING IS LOUWER INFORMATIEF).  
3. DE TECHNISCHE BUSLUITER MOET GEZIEN WORDEN ALS ONDERDEEL VAN DE ALGEMENE VERKOOPVOORWAARDEN VAN TAL N.V.  
4. DE ELECTRO-INSTALLATEUR IS VERANTWOORDELIJK VOOR HET GEBRUIKEN VAN VOORSCHAKELAPPARATUUR DIE VOLDOET AAN DE GELDENDE CE EN EMC NORMEN.  
5. VERVANG DE LAMP (-EN) ALTIJD MET DE GROOTSTE ZORG, ZE IS (ZIJN) UITERST BREEKBAAR.  
6. OPGEPAST: PLAATS NOOIT DE LAMP MET BLOTE HANDEN, GEBRUIK ALTIJD EEN DOEK!

INSTRUCTIONS D'INSTALLATION ET D'ENTRETIEN A RESPECTER VIS-A-VIS DE LA GARANTIE.  
1. LE PLACEMENT, LE RACCORDEMENT ET L'ESSAI DE CET APPAREIL DOIVENT TOUJOURS ETRE EFFECTUES PAR UN INSTALLATEUR ELECTRICIEN AGREE.  
2. LES LUMINAIRES DOIVENT ETRE INSTALLEZ, BRANCHEZ ET TESTES SUIVANT LE REGLEMENT NATIONAL SUR LES INSTALLATIONS ELECTRIQUES EN VIGUEUR. (BELGIQUE, A.R.E.I., ALLEMAGNE: DIN VDE 0100 TEIL 559 A2, ...; CETTE ENUMERATION EST INDICATIVE)  
3. CE MANUEL D'INSTALLATION TECHNIQUE REPRESENTE UNE PARTIE DES CONDITIONS GENERALES DE VENTE DE TAL N.V.  
4. L'ELECTRO-INSTALLATEUR EST RESPONSABLE POUR L'USAGE DE BALLASTS, TRANSFO'S, ... CONFORMES AUX NORMES CE ET EMC EN VIGUEUR.  
5. REMPLACEZ TOUJOURS L'AMPOULE (LES AMPOULES) AVEC PRUDENCE; ELLE(-S) EST (SONT) TRES FRAGILE (-S).  
6. ATTENTION: NE JAMAIS REMPLACER L'AMPOULE AUX MAINS NUES, UTILISEZ TOUJOURS UN CHIFFON!

INSTALLATION AND MAINTENANCE INSTRUCTIONS IN VIEW OF THE MANUFACTURER'S GUARANTEE.  
1. THE CONNECTION AND TESTING OF THE DEVICES SHOULD ALWAYS BE PERFORMED BY A RECOGNIZED ELECTRICIAN.  
2. THESE LIGHTING DEVICES NEED TO BE INSTALLED, CONNECTED AND TESTED FOLLOWING THE OFFICIAL NATIONAL INSTRUCTION GUIDE FOR ELECTRICAL INSTALLATIONS (BELGIUM, A.R.E.I., GERMANY: DIN VDE 0100 TEIL 559 A2, ...; THIS ENUMERATION IS JUST AN INDICATION)  
3. THIS TECHNICAL ENCLOSURE NEEDS TO BE ADDED TO THE GENERAL SALES CONDITION OF THE TAL N.V.  
4. THE ELECTRO TECHNICIAN IS RESPONSABLE TO USE BALLASTS, TRANSFORMERS, ... WHICH MEET THE VALID CE AND EMC RULES.  
5. ALWAYS REPLACE THE LAMP (-S) WITH UTMOST CAUTIOUSNESS, THE LAMP (-S) IS (ARE) VERY FRAGILE.  
6. ATTENTION: NEVER REPLACE THE LAMP WITH BARE HANDS, ALWAYS USE A CLOTH!

MONTAGE- UN UNTERHALT INSTRUCTIONEN ZU BEACHTEN MIT BEZUG AUF DER GARANTIE.  
1. DIE MONTAGE, DER ANSCHLUSS UND DAS AUSTESTEN DER LEUCHTEN SOLL IMMER VON EINEM ZUSTAENDIGEN ELECTRO-INSTALLATEUR AUSGEFUHRT WERDEN.  
2. DIESE LEUCHTEN MUSSEN INSTALLIERT, ANGESCHLOSSEN UND GETESTET WERDEN NACH DER ALLGEMEINEN NATIONALEN REGLEMENTATION UBER DIE ELEKTRISCHE INSTALLATIONEN (BELGIEN, A.R.E.I., DEUTSCHLAND: DIN VDE 0100 TEIL 559 A2, ...; DIESE AUFSTELLUNG GESCHICHT DURCH EXEMPLATIVEN TITEL UND KANN NICHT ALS LIMITATIV ODER EXHAUTIV BETRACHTET WERDEN).  
3. DIESE TECHNISCHE GEBRAUCHSANWEISUNG GEHORT ZU DEN ALLGEMEINEN VERKAUFSDINGUNGEN VON TAL N.V.  
4. DER ELEKTRO-INSTALLATEUR IST VERANTWORTLICH FUR DAS VERWENDEN VON CE UND EMC GEPRUFTE VORSCHALTGERATE.  
5. DIE LAMPE(-N) SOLL(-EN) IMMER SERH VORSICHTIG ERSAETZT WERDEN.  
6. VORSICHT: MAN DARF NIE DIE LAMPE MIT DEN NACKTEN HAENDEN BERUHREN, MAN SOL IMMER EINEN TUCH BENUTZEN!



name FUNNEL SFEROS TRIMLESS HALOLED

133845	FUNNEL SFEROS TRIMLESS HALOLED 24° 2700K	BRUSHED BRONZE ANO
133843	FUNNEL SFEROS TRIMLESS HALOLED 24° 2700K	BRUSHED GOLD ANO
133844	FUNNEL SFEROS TRIMLESS HALOLED 24° 2700K	BRUSHED TITANIUM ANO
133846	FUNNEL SFEROS TRIMLESS HALOLED 24° 2700K	TEXTURED BLACK
133827	FUNNEL SFEROS TRIMLESS HALOLED 24° 2700K	TEXTURED WHITE
133855	FUNNEL SFEROS TRIMLESS HALOLED 24° 3000K	BRUSHED BRONZE ANO
133853	FUNNEL SFEROS TRIMLESS HALOLED 24° 3000K	BRUSHED GOLD ANO
133854	FUNNEL SFEROS TRIMLESS HALOLED 24° 3000K	BRUSHED TITANIUM ANO
133856	FUNNEL SFEROS TRIMLESS HALOLED 24° 3000K	TEXTURED BLACK
133837	FUNNEL SFEROS TRIMLESS HALOLED 24° 3000K	TEXTURED WHITE
133825	FUNNEL SFEROS TRIMLESS HALOLED 36° 2700K	BRUSHED BRONZE ANO
133823	FUNNEL SFEROS TRIMLESS HALOLED 36° 2700K	BRUSHED GOLD ANO
133824	FUNNEL SFEROS TRIMLESS HALOLED 36° 2700K	BRUSHED TITANIUM ANO
133866	FUNNEL SFEROS TRIMLESS HALOLED 36° 2700K	TEXTURED BLACK
133867	FUNNEL SFEROS TRIMLESS HALOLED 36° 2700K	TEXTURED WHITE
133835	FUNNEL SFEROS TRIMLESS HALOLED 36° 3000K	BRUSHED BRONZE ANO
133833	FUNNEL SFEROS TRIMLESS HALOLED 36° 3000K	BRUSHED GOLD ANO
133834	FUNNEL SFEROS TRIMLESS HALOLED 36° 3000K	BRUSHED TITANIUM ANO
133876	FUNNEL SFEROS TRIMLESS HALOLED 36° 3000K	TEXTURED BLACK
133877	FUNNEL SFEROS TRIMLESS HALOLED 36° 3000K	TEXTURED WHITE
133885	FUNNEL SFEROS TRIMLESS HALOLED 60° 2700K	BRUSHED BRONZE ANO
133883	FUNNEL SFEROS TRIMLESS HALOLED 60° 2700K	BRUSHED GOLD ANO
133884	FUNNEL SFEROS TRIMLESS HALOLED 60° 2700K	BRUSHED TITANIUM ANO
133886	FUNNEL SFEROS TRIMLESS HALOLED 60° 2700K	TEXTURED BLACK
133887	FUNNEL SFEROS TRIMLESS HALOLED 60° 2700K	TEXTURED WHITE
133895	FUNNEL SFEROS TRIMLESS HALOLED 60° 3000K	BRUSHED BRONZE ANO
133893	FUNNEL SFEROS TRIMLESS HALOLED 60° 3000K	BRUSHED GOLD ANO
133894	FUNNEL SFEROS TRIMLESS HALOLED 60° 3000K	BRUSHED TITANIUM ANO
133896	FUNNEL SFEROS TRIMLESS HALOLED 60° 3000K	TEXTURED BLACK
133897	FUNNEL SFEROS TRIMLESS HALOLED 60° 3000K	TEXTURED WHITE
701122	FUNNEL SFEROS TRIMLESS FRAME	